

PPF18

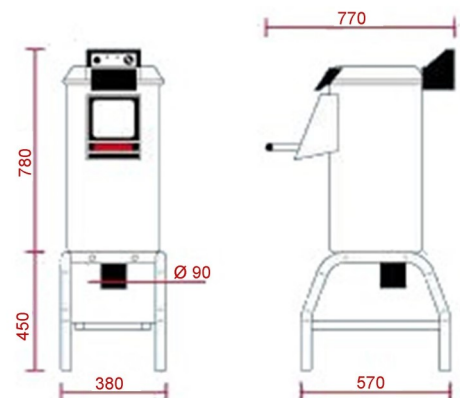


Potato Peeler with Stand & Lateral Abrasive - 18 KG

Features:

- An appliance for peeling potatoes and carrots
- Stainless steel construction
- Upper cover in food-safe polycarbonate
- Safety micro-switch on the upper cover and on the outlet
- Button for the ejection of the food product
- Automatic jet of water to favour the elimination of the peel residues
- Dimension of waste-water outlet: diameter 90 mm
- Timer 0-4 minutes
- An extractable abrasive plate
- Lateral abrasive
- Supplied with a stainless steel stand

Optional: Stainless steel cartridge filter CCF



Model	Max Load	Max Output	Peeler (WxDxH) mm	Stand (WxDxH) mm	Power (V)	Motor (KW)	Weight (KG)
PPF18	18 KG	220 KG/H	380x770x780	380x570x450	230 / 10A Plug	1.1	43