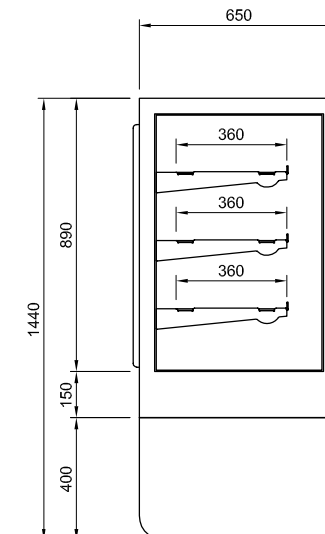
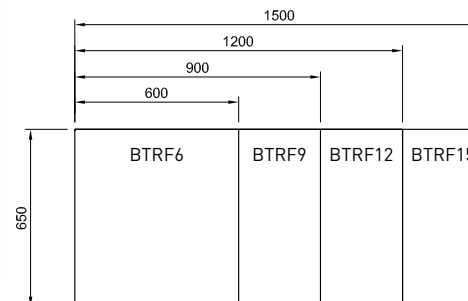


BTRF REFRIGERATED

TOWER SERIES

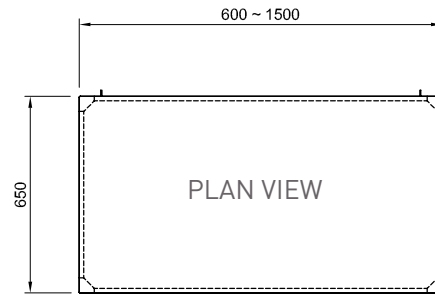


Solid glass front and sliding rear doors
 Deck forced refrigeration
 Double glazed glass
 Three adjustable shelves
 Ticket strips on shelves and deck
 Vertical and canopy lights
 Integral condenser
 Plinth, castors and skirt
 Available in four lengths
 Free standing ticket strip for base
 Condensate waste container supplied

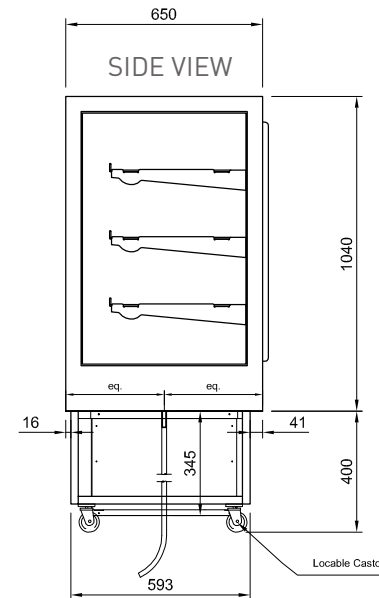
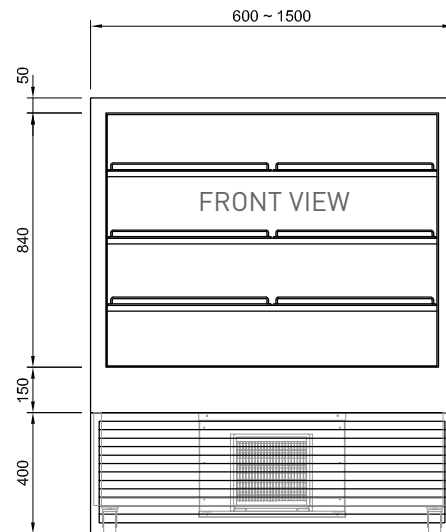
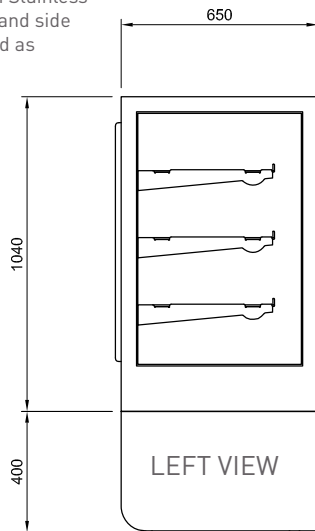


BTRF REFRIGERATED

TOWER SERIES

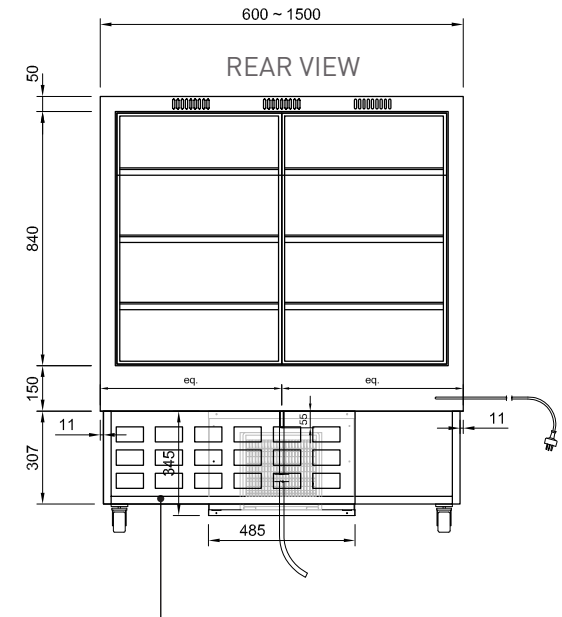


Shown with Stainless steel front and side covers fitted as standard



CONDENSATE DRAINAGE

- Drain pipe position as shown
- 55 mm Stainless steel spigit to plastic flexible waste pipe 15mm dia. 1000 mm length
- Maximum ambient operating conditions
25°C / 60% Relative Humidity



Removable rear Zintec cover. Drain pipe area left open.

ELECTRICAL POWER

Electrical power cord 1500mm
All units 3 pin 10 amp 1 phase
- plug can be removed and unit hard wired on site

■ Stand Alone Refrigerated Unit With Covers

■ Stand Alone Sub Frame Only

BT INSTALLATION OPTIONS FOR NIB WALL

TOWER SERIES



Free standing unit
Positioned behind
nib wall. Counters or
additional cabinets
are typically positioned
each side.

A 50mm gap is required
between hot and cold
ajoining units.

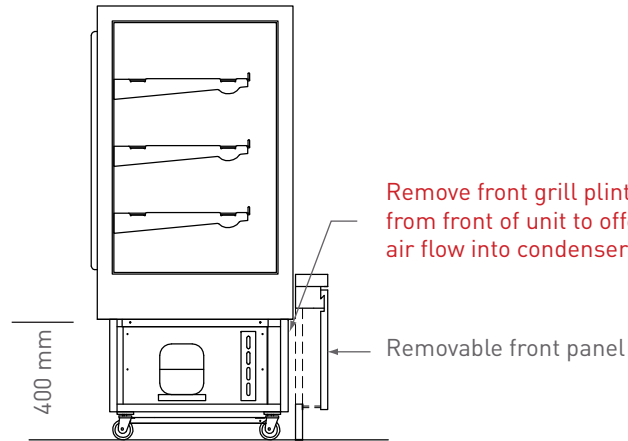
Always remove **Stainless
Steel plinth covers** before
butting up to nib wall.

* example only

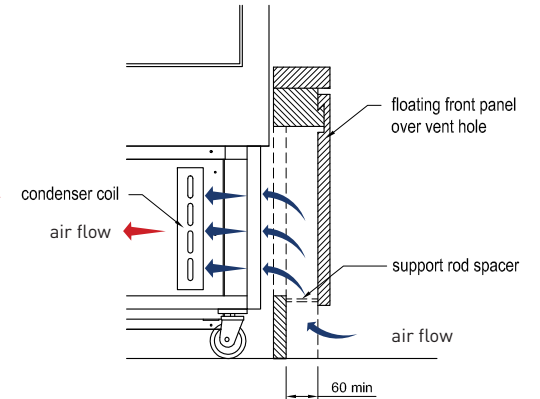
Floating front panel option



Front ducted vent option



Section - Unit with floating front panel

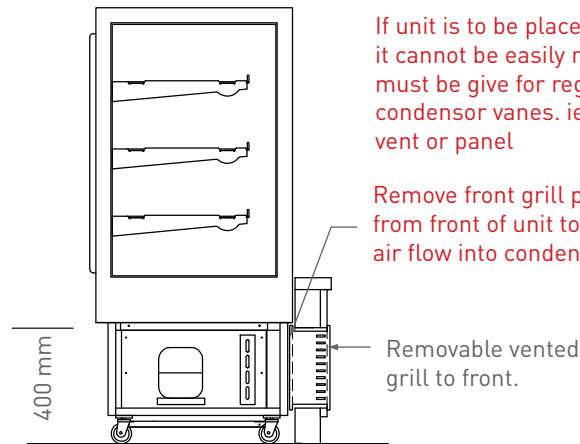


Enlarged Section - Unit with floating front panel

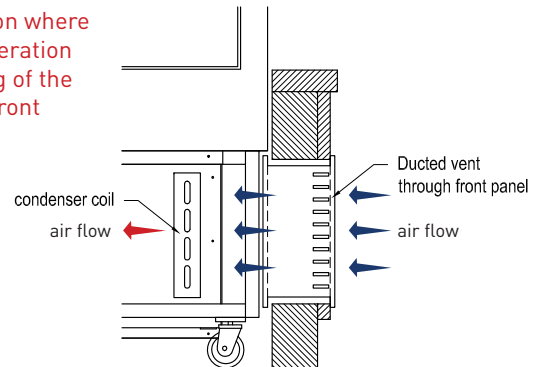
CLEANING ALLOWANCE ALL SITUATIONS

If unit is to be placed in a situation where
it cannot be easily moved consideration
must be give for regular cleaning of the
condensor vanes. ie removable front
vent or panel

Remove front grill plinth cover
from front of unit to offer better
air flow into condenser face.



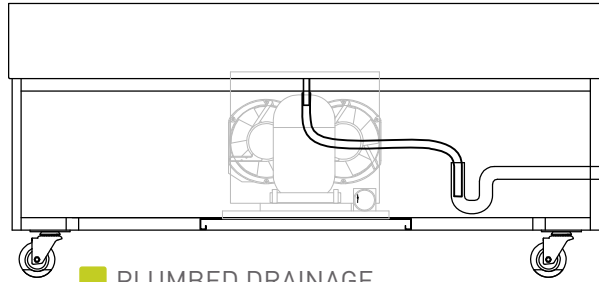
Section - Unit with vent



Enlarged Section - Unit with vent

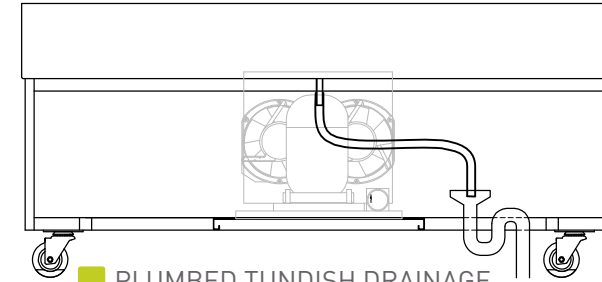
GTRF BTRF D4RF

REFRIGERATED UNITS DRAINAGE SERVICES OPTIONS



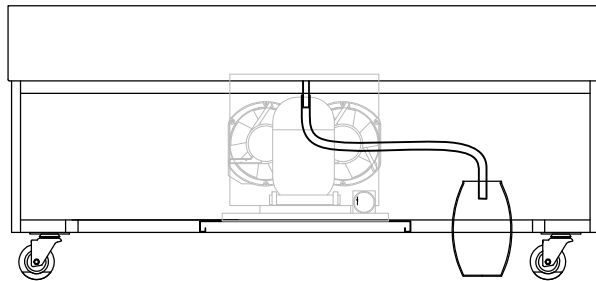
■ PLUMBED DRAINAGE

- Drainage to building waste
- Building waste by client



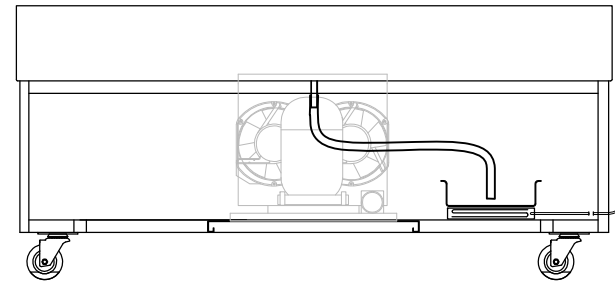
■ PLUMBED TUNDISH DRAINAGE

- Maximum 150 mm above finished floor level
- Drainage to building waste
- Building waste by client



■ FREE STANDING RECIPIENT

- Supplied with all chilled units in range
- Receptacle placed under unit to receive condensate waste
- Dispose of waste water daily



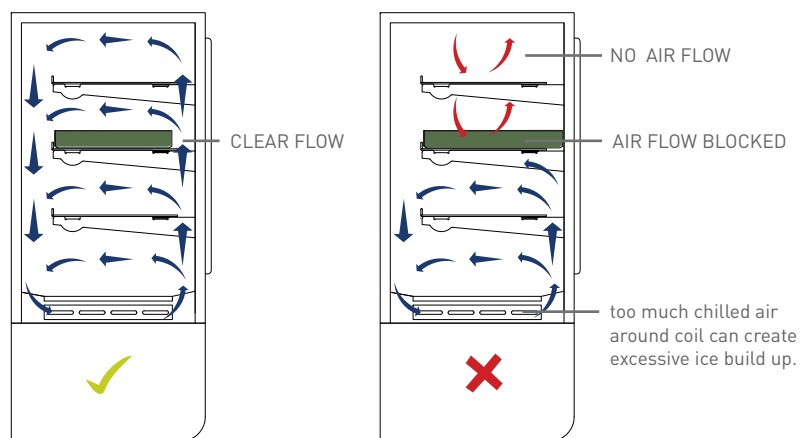
■ ELECTRICAL EVAPORATOR PAN

- Proprietary electrical unit to evaporate condensate waste (not supplied by cossiga)
- Will require power source

■ Drainage Options

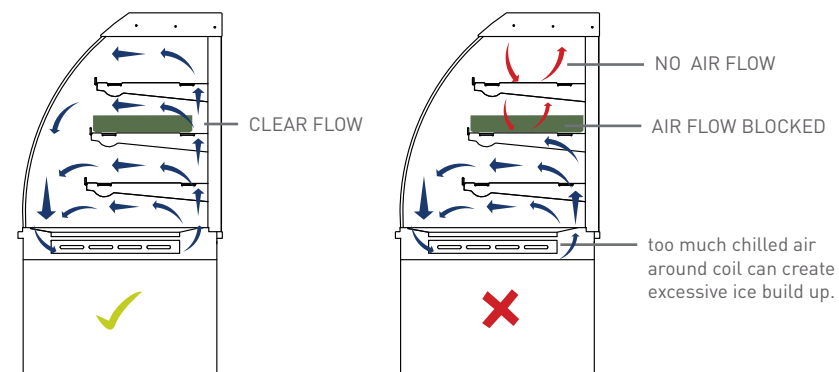
COSSIGA AIR FLOW USAGE GIUDE

USAGE GUIDE LINES



CORRECT AIRFLOW.

INCORRECT AIRFLOW.



CORRECT AIRFLOW.

INCORRECT AIRFLOW.

Internal Air Flow Requirements

CORRECT AIRFLOW ✓
for both hot and cold units.

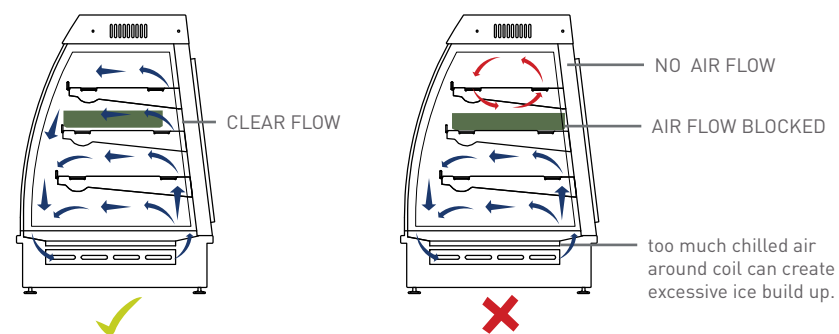
Vents are not blocked at base and ensure trays or plates are not blocking airflow at the rear of the unit.

INCORRECT AIRFLOW ✗
for both hot and cold units.

Blocked airflow disturbs correct air movement and creates uneven temperatures inside unit.

Ensure bottom vents are not blocked by plates or product.

Blocked air flow will retard operation on both HOT and COLD unit.



CORRECT AIRFLOW.

INCORRECT AIRFLOW.