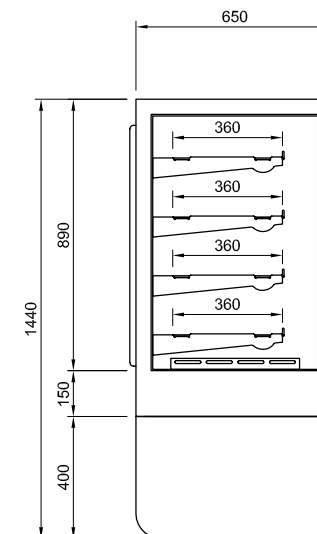
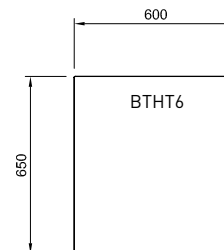


BTHT HEATED

TOWER SERIES

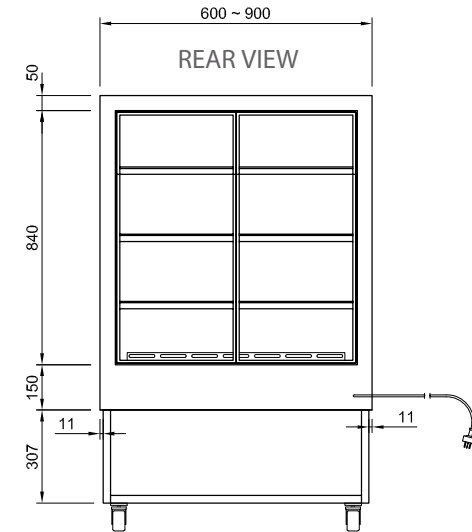
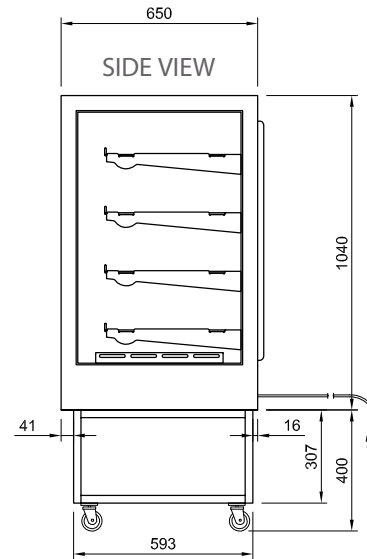
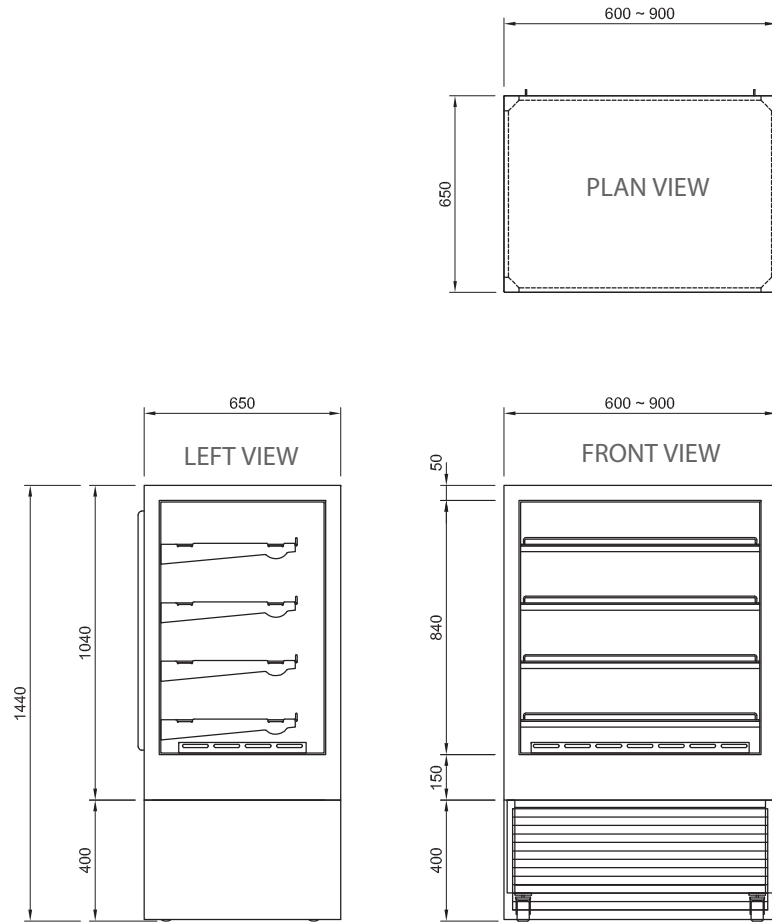


- Solid glass front and glass hinged rear door
- Deck forced heating
- Single glazed glass
- Four adjustable shelves with ticket strips
- Vertical and canopy lights
- Available in one length



BT TOWER HEATED

HEATED UNIT SERVICES



Shown with Stainless steel front and side covers fitted as standard

ELECTRICAL POWER

Electrical power cord 1500mm
All units 3 pin 10 amp 1 phase

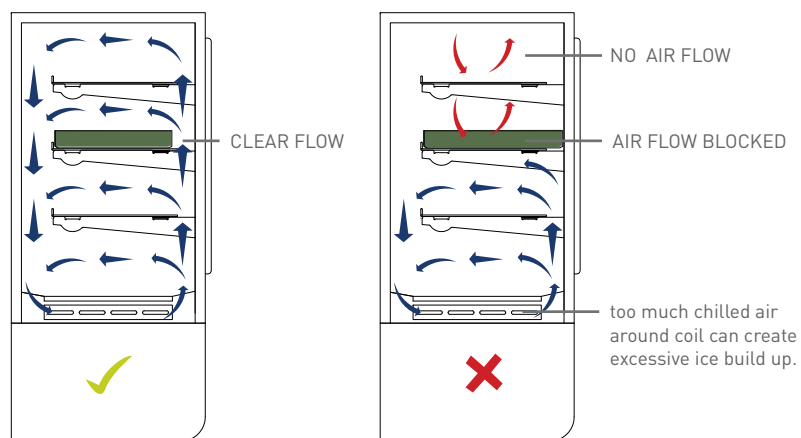
- plug can be removed and unit hard wired on site

■ Stand Alone Unit With Covers

■ Stand Alone Sub Frame Only

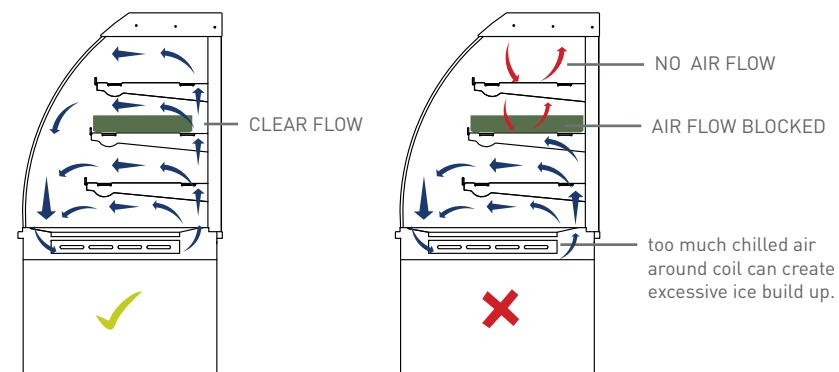
COSSIGA AIR FLOW USAGE GIUDE

USAGE GUIDE LINES



CORRECT AIRFLOW.

INCORRECT AIRFLOW.



CORRECT AIRFLOW.

INCORRECT AIRFLOW.

Internal Air Flow Requirements

CORRECT AIRFLOW ✓
for both hot and cold units.

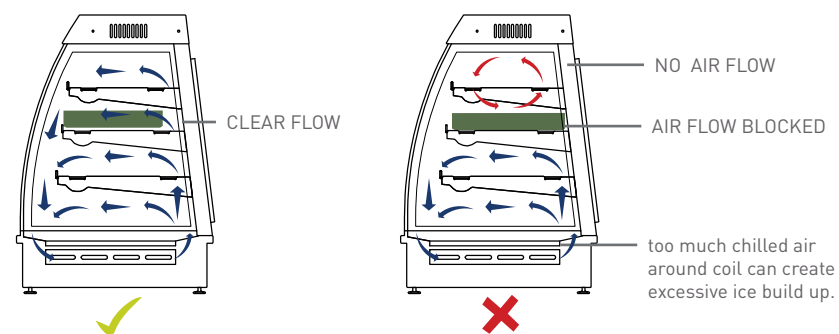
Vents are not blocked at base and ensure trays or plates are not blocking airflow at the rear of the unit.

INCORRECT AIRFLOW ✗
for both hot and cold units.

Blocked airflow disturbs correct air movement and creates uneven temperatures inside unit.

Ensure bottom vents are not blocked by plates or product.

Blocked air flow will retard operation on both HOT and COLD unit.



CORRECT AIRFLOW.

INCORRECT AIRFLOW.